

Long shaft pump type MPG

Landia long shaft slurry pump for electrical operation.
Reliable, robust pump with high capacity for pumping slurry.

APPLICATION EXAMPLES

- Transfer to tanks
- Back flushing canals
- Suitable for shredding and pumping slurry with high dry-matter content
- Available with adjustable bottom mixer

PUMP RPM

1500 rpm



MATERIAL OF CONSTRUCTION

Motor housing	Cast iron EN-GJL-250
Pump housing	Cast iron EN-GJL-250
Pump impeller	Cast iron EN-GJL-250
Bolts	A4
Knife system	Hardened steel W1.0038, hardened to RC 59-
Extended knife system	Hardened steel W1.0038, hardened to RC 59-60 (optional)

SERVICE AND MAINTENANCE

Recommended service interval/oil	Maximum 2000 operational hours/minimum once a year
Motor	Lifetime lubricated bearings

SURFACE TREATMENT

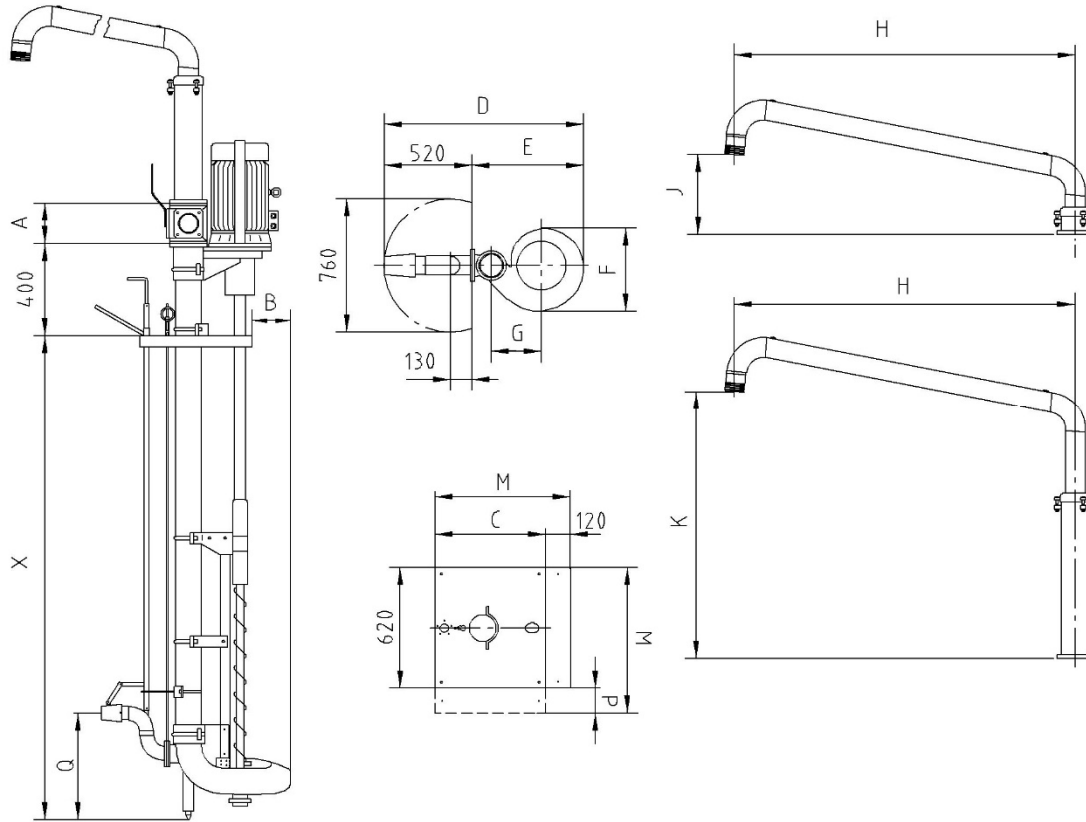
Machinery enamel: RAL 9005 (Jet black)	Jet black
--	-----------

ELECTRICAL DATA MPG

Motor type	3-phase AC motor
Nominal voltage	400 V
Minimum voltage allowed	360 V
Nominal frequency	50 Hz
Applicable for VFD-operation	Yes
Ingress protection rating	IP 55
Insulation class	F

Model	Nominal power	Motor	Full load current (400 V)	Connection method	Start current (DOL)	cos phi	Efficiency
	[kW]	[rpm]	[A]	Y/Δ	[A]		[%]
MPG 4" 5.5 kW-1500 rpm	5.5	1460	10.5	Δ	91.4	0.84	89.6
MPG 4" 7.5 kW-1500 rpm	7.5	1460	14.5	Δ	135	0.84	90.7
MPG 4" 11.0 kW-1500 rpm	11.0	1470	21.0	Δ	214	0.85	91.4
MPG 4" 15.0 kW-1500 rpm	15.0	1470	28.0	Δ	283	0.85	92.1
MPG 4" 18.5 kW-1500 rpm	18.5	1470	33.0	Δ	257	0.88	92.6
MPG 5" 11.0 kW-1500 rpm	11.0	1470	21.0	Δ	214	0.85	91.4
MPG 5" 15.0 kW-1500 rpm	15.0	1470	28.0	Δ	283	0.85	92.1
MPG 5" 18.5 kW-1500 rpm	18.5	1470	33.0	Δ	257	0.88	92.6
MPG 5" 22.0 kW-1500 rpm	22.0	1470	40.0	Δ	320	0.87	93.0
MPG 6" 15.0 kW-1500 rpm	15.0	1470	28.0	Δ	283	0.85	92.1
MPG 6" 18.5 kW-1500 rpm	18.5	1470	33.0	Δ	257	0.88	92.6
MPG 6" 22.0 kW-1500 rpm	22.0	1470	40.0	Δ	320	0.87	93.0
MPG 6" 30.0 kW-1500 rpm	30.0	1475	52.0	Δ	447	0.89	93.6

OVERALL DIMENSIONS



Type	X [m]	A [mm]	B [mm]	C [mm]	D [mm]	E [mm]	F [mm]	G [mm]	M [mm]	P [mm]
4"	1.6 – 5.4	244	120	620	1050	530	420	225	740	-
5"	1.6 – 5.4	282	180	620	1155	635	480	285	740	-
6"	1.6 – 5.4	322	218	722	1330	810	600	355	842/890	270

Aftapningsrør - Drainage pipe Faßfüllrohr - Tuyau de vidange [m]	H [mm]	J [mm]	K [mm]
2.7	2700	400	1500->2100
3.2	3200	450	1600->2200
3.7	3700	500	1750->2350

Bundblanding – Bottom Flushing Rührdüse - Recyclage	Q [mm]
Bevægelig kort - Adjustable short Beweglich kurz - Orientable, court	650
Bevægelig lang – Adjustable long Beweglich lang - Orientable, long	1200
Fast - Fixed Fest – Fixe	700

We reserve the right to make technical alterations.