

Long shaft chopper pump, MPG-I

APPLICATIONS

- Biogas plants, abattoirs, the paper industry, and the fish industry
- Suitable for pumping liquid with high dry-matter content
- Available with adjustable bottom flushing

PUMP RPM

1,500 rpm



The pump shown is incl. accessories

MATERIALS

Motor casing	Cast iron EN-GJL-250
Pump casing	Cast iron EN-GJL-250
Pump impeller	Cast iron EN-GJL-250
Bolts	Acidproof stainless steel A4
Knife system	Steel hardened to HRC 59-60
Extended knife system	Steel hardened to HRC 59-60 (Option)

SERVICE AND MAINTENANCE

Recommended service interval	Maximum 1000 operational hours/minimum once a year
Motor	Lifetime lubricated bearings

SURFACE TREATMENT

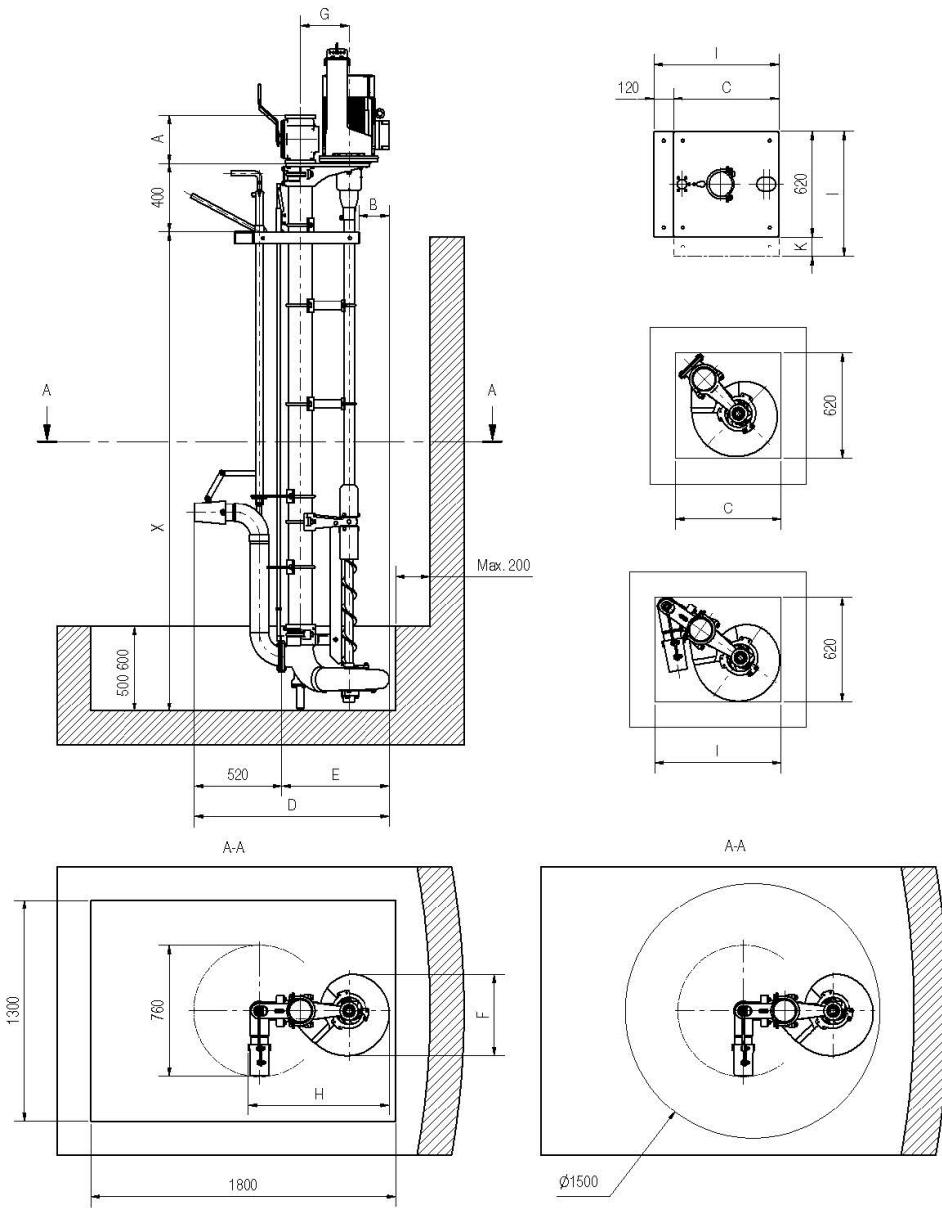
Machinery enamel: RAL 9005 (Jet black)	Jet black
Pump pipe and equipment	Hot dip galvanized

ELECTRICAL DATA MPG-I

Motor type	3-phase A motor
Voltage	400 V
Minimum voltage allowed	360 V
Nominal frequency	50 Hz
Applicable for VFD operation	Yes
Ingress protection rating	IP 55
Insulation class	F

Model	Nominal power	Motor	Full load current (400 V)	Connection method	Start current (DOL)	cos phi	Efficiency
	[kW]	[rpm]	[A]	Y/Δ	[A]		[%]
MPG-I 4" 5.5 kW-1500 rpm	5.5	1460	10.5	Δ	91.4	0.84	89.6
MPG-I 4" 7.5 kW-1500 rpm	7.5	1460	14.5	Δ	135	0.84	90.7
MPG-I 4" 11.0 kW-1500 rpm	11.0	1470	21.0	Δ	214	0.85	91.4
MPG-I 4" 15.0 kW-1500 rpm	15.0	1470	28.0	Δ	283	0.85	92.1
MPG-I 5" 11.0 kW-1500 rpm	11.0	1470	21.0	Δ	214	0.85	91.4
MPG-I 5" 15.0 kW-1500 rpm	15.0	1470	28.0	Δ	283	0.85	92.1
MPG-I 5" 18.5 kW-1500 rpm	18.5	1470	33.0	Δ	257	0.88	92.6
MPG-I 6" 18.5 kW-1500 rpm	18.5	1470	33.0	Δ	257	0.88	92.6
MPG-I 6" 22.0 kW-1500 rpm	22.0	1470	40.0	Δ	320	0.87	93.0
MPG-I 6" 30.0 kW-1500 rpm	30.0	1475	52.0	Δ	447	0.89	93.6

OVERALL DIMENSIONS



Type	X [m]	A [mm]	B [mm]	C [mm]	D [mm]	E [mm]	F [mm]	G [mm]	H [mm]	I [mm]	K [mm]
4"	1.6 – 5.4	244	120	620	1050	530	420	225	730	740	-
5"	1.6 – 5.4	282	180	620	1155	635	480	285	835	740	-
6"	1.6 – 5.4	322	218	720	1330	810	600	355	1010	840/890	270

We reserve the right to make technical alterations.